

## Model: BH-0.72-50

### Characteristic:

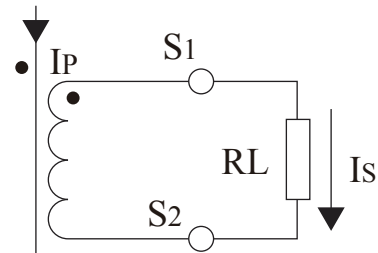
BH-0.72 current transformer are mainly indoor use, rated voltage  $\leq 0.72\text{KV}$ , 50Hz AC current, to measure current or energy or relay protection. Products are plastic molded CT, are widely used in the complete sets of cabinets, Installation can be busbar fixed or bottom plate fixed, Any direction installation will be OK.



### Technical index:

- Mounting type: Busbar/Bottom plate fixed
- Core material: Silicon steel
- Flame resistance: UL94-V0
- work voltage: 720V
- Working temperature:  $-25^{\circ}\text{C} \sim +50^{\circ}\text{C}$
- Storage temperature:  $-35^{\circ}\text{C} \sim +70^{\circ}\text{C}$
- Work frequency: 50Hz~60Hz
- Dielectric strength: 6KV 50Hz 1min

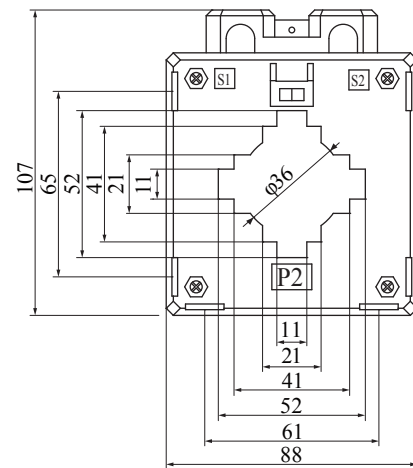
### Connect diagram:



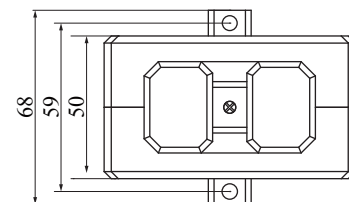
### Electrical Index:

Output (A)	Input/Output (A)	Accuracy/Load (VA)				
		1	0.5	0.2	0.5S	0.2S
0.1	400/0.1	5	2.5	2.5		
	500/0.1	10	7.5	5		
	600/0.1	10	7.5	5		
	750/0.1	10	10	5		
	800/0.1	10	10	5		
	1000/0.1	10	10	5		
1	300/1	5	2.5	2		
	400/1	5	2.5	2.5		
	500/1	10	7.5	5		
	600/1	10	7.5	5		
	750/1	10	10	5		
	800/1	10	10	5		
	1000/1	10	10	5	1.5	1.5
5	300/5	5	2.5	2.5	2	2
	400/5	5	2.5	2.5	2.5	2.5
	500/5	10	7.5	5	2.5	2.5
	600/5	10	7.5	5	5	5
	750/5	10	10	5	5	5
	800/5	10	10	5	5	5
	1000/5	10	10	5	5	5
	1200/5	10	10	5		

### Dimension(in mm):



Front View



Top view