

Split core current transformer



Model: SCT4333QL

Characteristic:

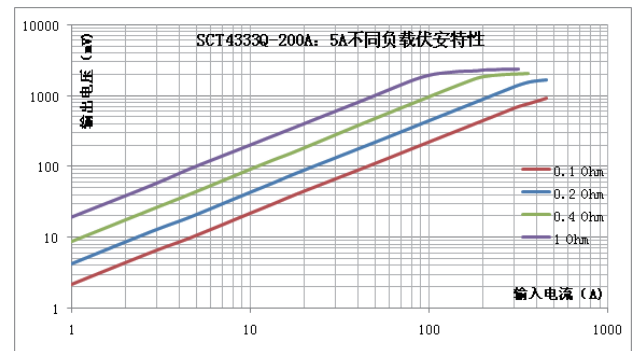
- Hanging installation, Rectangle hole,
- Secondary leading wire output.

Technical indicators:

- Material of core: Silicon steel sheet
- Fire resistance property: UL94-V0
- Work voltage: 660V
- Work temperature: -25°C ~ +70°C
- Storage temperature: -40°C ~ +85°C
- Frequency range: 50Hz ~ 60Hz
- Dielectric strength: 3.5KV 50Hz 1min



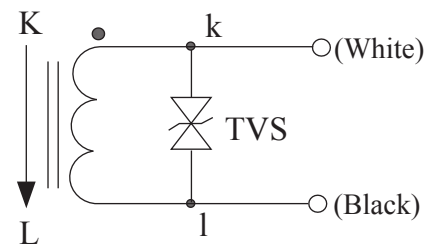
Characteristic curve in different load volt-ampere:



Electric parameter:

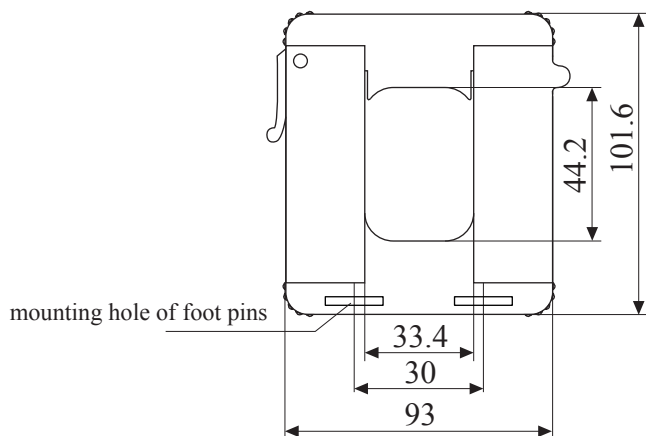
Rated input(rms)	600	A
Max. Input	720	A
Rated output	5	A
Turns ratio	1:120	
Accuracy	±0.5	%
Linearity		
Phase error		
max.Sampling resistance	0.2	Ω
Weight	404	g

Wiring diagram:

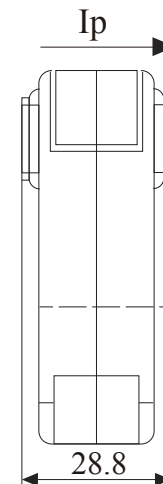


Outline size diagram(in mm):

Iron core way of opening and closing: rotation card button



Front view



Side view

Built-in two-way protection diode, current output type