

Model:3TA8350L-100

Characteristics:

full sealed,epoxy encapsulated,high dielectric strength,
three phase current combination detection,adopting
nanocrystalline core.

Technical index:

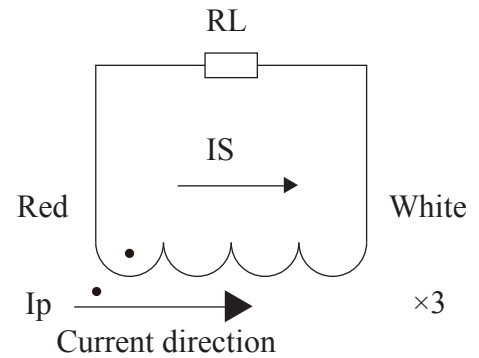
- Mounting type: Suspend
- Material of the core: Nanocrystalline
- Flame resistance: UL94-V0
- Execution standard: GB1208-2006
- Operating temperature: -35℃~+85℃
- Storage temperature: -45℃~+95℃
- Frequency range: 20Hz-20KHz
- Dielectric strength: 3.5KV 50Hz 1min



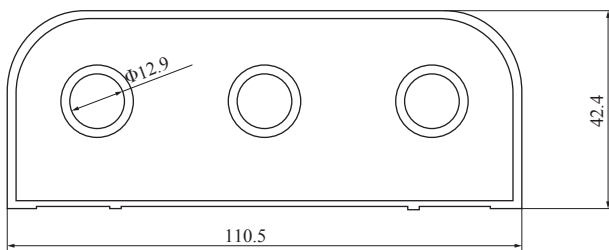
Electrical parameters:

Rated input	0-25	A
Max.input	27	A
Rated output	0-25	mA
Turns ratio	1: 1000	
Accuracy	±1	%
Linearity	≤0.2	%
Phase difference	10.1'	
Max.sampling resistance	200	Ω
Weight	158	g

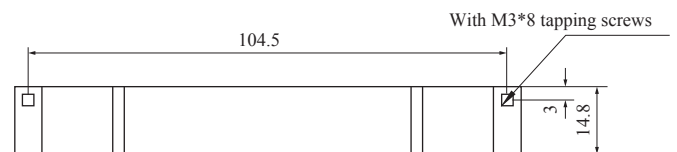
Schematic diagram:



Dimensions (in mm) :



Front view



Bottom view