

## Model: SCT010T

### Characteristic:

Compatible to foreign products completely, built-in TVS.  
 Purpose: Applicable for the current measuring monitoring and protection of AC motor, lighting equipment and air compressor.



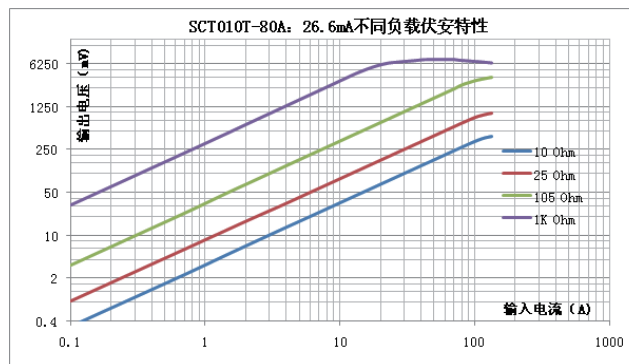
### Technical indicators:

Hanging installation, Crimping terminal output  
 Material of core: Ferrite  
 Work voltage: 720V  
 Work temperature:  $-25^{\circ}\text{C} \sim +60^{\circ}\text{C}$   
 Storage temperature:  $-30^{\circ}\text{C} \sim +90^{\circ}\text{C}$   
 Frequency range: 50Hz ~ 1KHz  
 Dielectric strength: 3.5KV 50Hz 1min

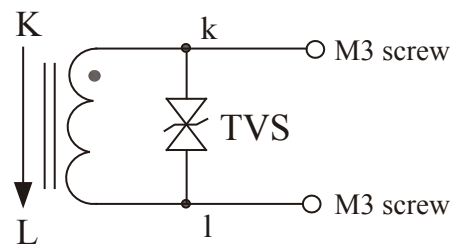
### Electric parameter:

Rated input(rms)	80	A
Max. Input	120	A
Rated output	26.6	mA
Turns ratio	1: 3000	
Accuracy	0.5/1	%
Linearity	$\leq 0.2$	%
Phase error	$+1.5 \pm 1^{\circ}$	
max.Sampling resistance	10	$\Omega$
Weight	45	g

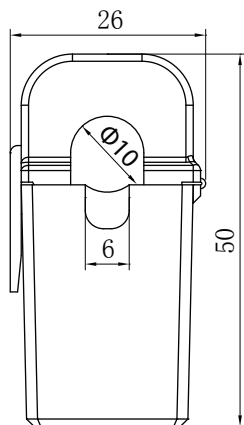
### Characteristic curve in different load volt-ampere:



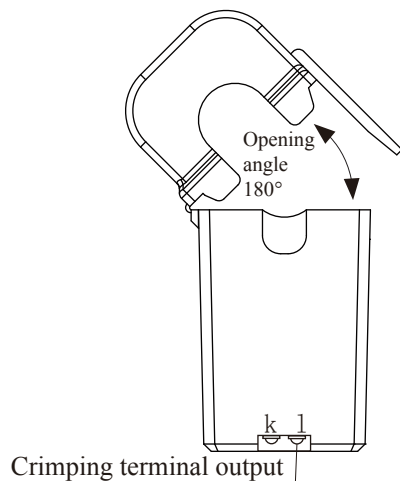
### Wiring diagram:



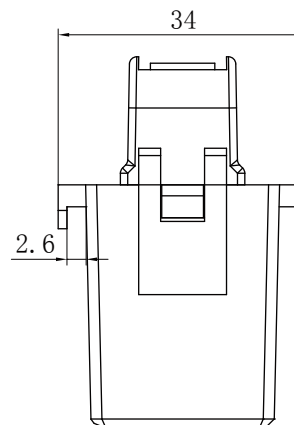
### Outline size diagram(in mm):



Front view



Crimping terminal output



Side view

TVS: Transient voltage suppressor, Current output type