

Model: SCT018R

Characteristic:

Split core structure, hanging installation, window shape: round, diameter: 18mm. Secondary leading wire output, leads length: 1.5m.

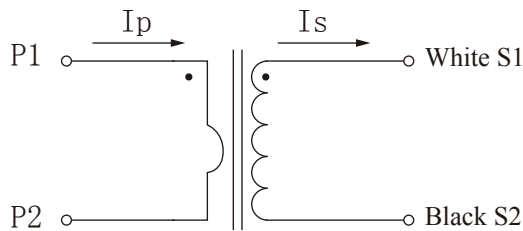
Technical indicators:

Material of core: Silicon steel sheet
 Fire resistance property:UL94-V0
 Work voltage:720V
 Work temperature:-30 ~ +65
 Storage temperature:-40 ~ +85
 Frequency range:50Hz ~ 60Hz
 Dielectric strength:AC 3.5KV/1min

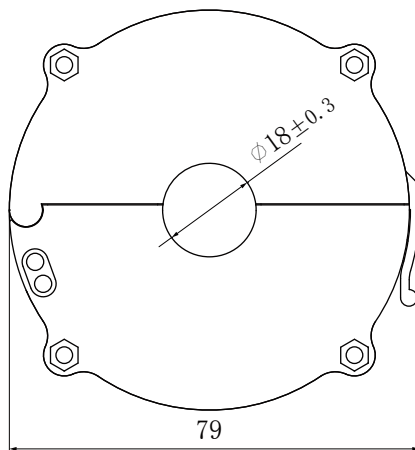
Electric parameter:

input/Output	Accuracy/Load (VA)	
	1%	3%
50A/5A	--	1.5VA
80A: 5A	--	2.5VA
100A: 5A	1VA	2.5VA

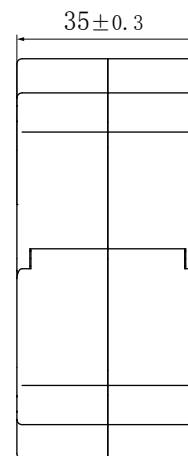
Wiring diagram:



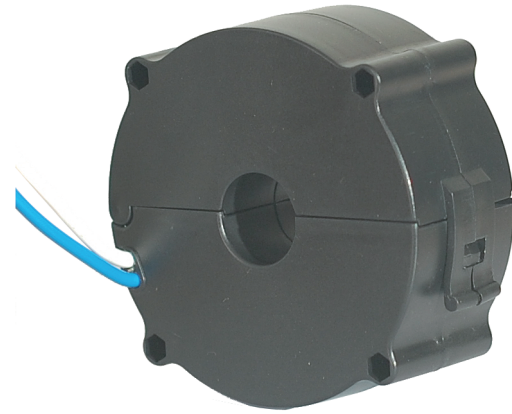
Outline size diagram(in mm):



Front view



Side view



Note

1. Open circuit is prohibited in the secondary measuring of current transformer. Before the installation of the split core current transformer, the secondary and electric meters (or other measuring devices) must be connected.
2. When the transformer is installed, the core shall not have any impurity and dust, so as to avoid affecting the performance of the current transformer.

Characteristic curve in different load volt-ampere:

