

Model:ZCT045B(L/T)

Used for residual current detection, with good linearity and high sensitivity. Widely used in dangerous goods places, high-rise buildings, public places and residential buildings and the unit power supply system of the building, there are lead wire or the compression terminal two output modes optional

Technical indexes:

Fair resistance: with UL94-V0

Work temperature: -25~+70°C

Storage temperature: -35~+85°C

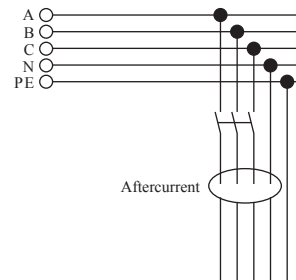
Delectric strength: 2.5KV 50Hz 1min



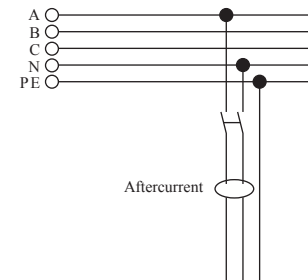
Electric parameter:

| | | |
|----------------------|-----------------------------------|----|
| Rated input current | 1 | A |
| Rated output current | 1/0.5 | mA |
| Load resistance | 100/200 | Ω |
| Linear range | 1/0.5 | % |
| Delectric strength | 1000MΩ500V/min | |
| Work frequency | 50~60 | Hz |
| Relative humidity | <93%RH(40°C) without condensation | |

Method of connecting:

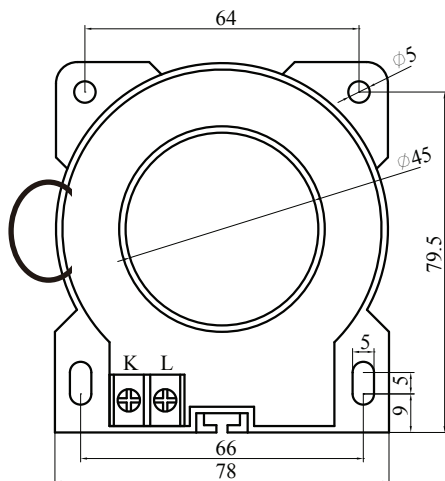


3-phase wiring direction

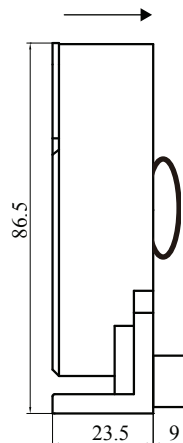


1-phase wiring direction

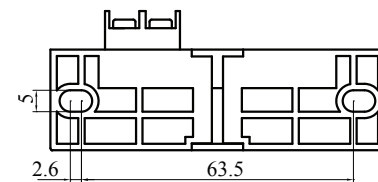
Outline size: (in:mm)



Front view



Side view



Bottom view