

Model:ZST045B(L/T)

Used for residual current detection, with good linearity and high sensitivity. Widely used in dangerous goods places, high-rise buildings, public places and residential buildings and the unit power supply system of the building, there are lead wire or the compression terminal two output modes optional

Technical indexes:

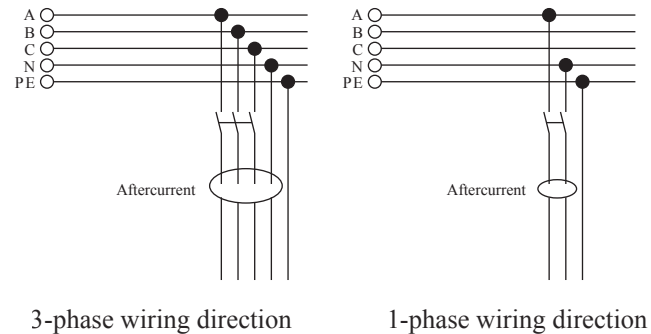
- Fair resistance: with UL94-V0
- Work temperature: -25~+70°C
- Storage temperature: -35~+85°C
- Delectric strength: 2.5KV 50Hz 1min



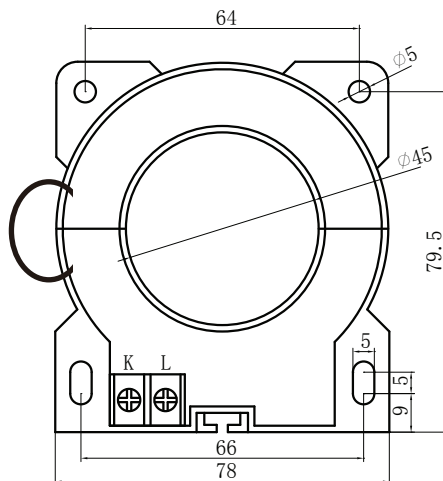
Electric parameter:

Rated input current	1	A
Rated output current	0.5	mA
Load resistance	< 1	K Ω
Linear range	5~200	%
Delectric strength	1000M Ω 500V/min	
Work frequency	50~60	Hz
Relative humidity	<93%RH(40°C) without condensation	

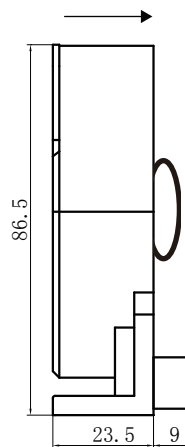
Method of connecting:



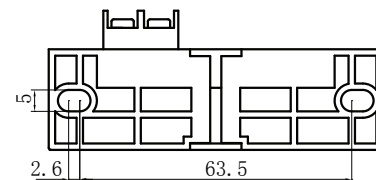
Outline size: (in:mm)



Front view



Side view



Bottom view