

Model • HAB55

Closed loop hall current sensor, hall magnetic compensation principle, can isolated measure AC, DC, pulse current.

Technical index:

Flame resistance: UL94-V0

Operating temperature: $-25 \sim +70^{\circ}\text{C}$

Storage temperature: $-25 \sim +100^{\circ}\text{C}$

Bandwidth: DC \sim 150kHz

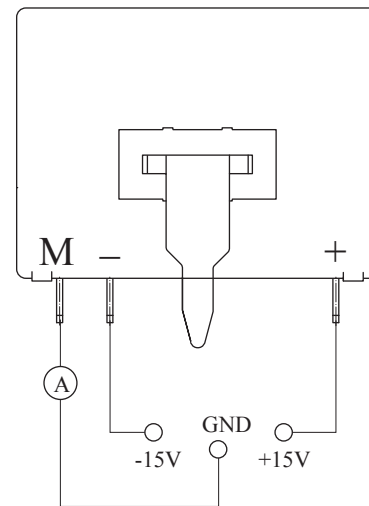
Dielectric strength: 2.5KV 50Hz 1min



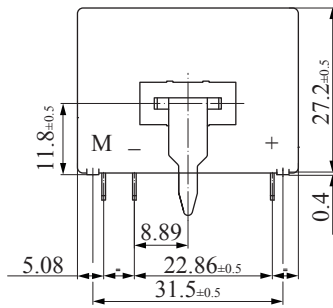
Electric parameters:

I_p	Rated input	± 100	A
I_{PM}	Input measured range	± 150	A
I_{OUT}	Rated output	± 50	mA
X	Accuracy	0.5	%
ϵ_L	Linearity	< 0.15	%
V_C	Supply voltage($\pm 5\%$)	± 15	V
I_C	Current consumption	± 10	mA + I_m
R_L	Load impedance	50	Ω
I_{OE}	Zero offset $T_A = 25^{\circ}\text{C}$	$\leq \pm 0.2$	mA
T_R	Response time	< 1	μs
N.W	Weight	18	g

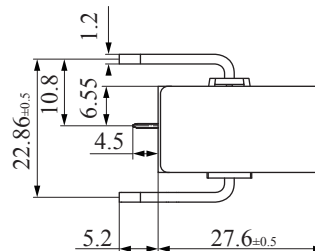
Schematic diagram:



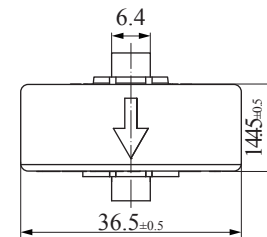
Dimensions (in mm) :



Front view



Side view



Top view