

Model: HAS2009

Epoxy potting plug terminal, leading wire or PCB welding output.AC/DC motor, current and voltage detection, battery powered, charging current detection, welding machine, inverter, automatic elevator, crane, papermaking,printing presses, injection molding machine, elevator Mechanical and electrical equipment such as AC/DC current/voltage detection

Technical index:

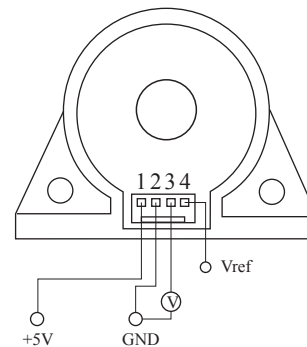
- Flame resistance: UL94-V0
- Operating temperature: -25~+70°C
- Storage temperature: -40~+85°C
- Bandwidth: DC~150kHz
- Dielectric strength: 3.5KV 50Hz 1min



Electric parameters:

I_P	Rated input	± 50	A
I_{PM}	Input measured range	± 75	A
V_{OUT}	Rated output	2.5 ± 0.625	V
X	Accuracy	0.5	%
ϵ_L	Linearity	< 0.1	%
V_C	Supply voltage($\pm 5\%$)	+5	V
I_C	Current consumption	< 40	mA + Im
R_L	Load impedance	$\geq 2K$	Ω
V_{OE}	Zero offset TA=25°C	$\leq \pm 15$	mV
T_R	Response time	< 1	μs
N.W	Weight	40	g

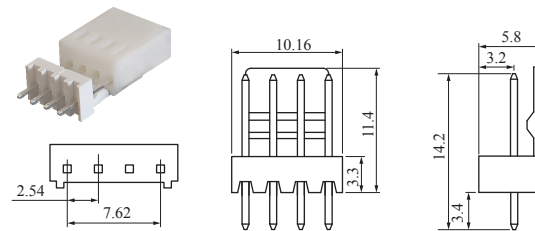
Schematic diagram:



Terminal definition

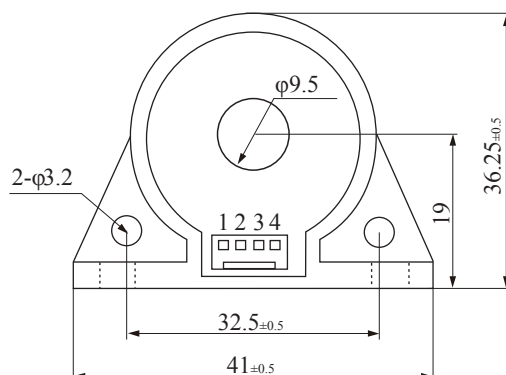
- 1: +V
- 2: 0V
- 3: Vout
- 4: Vref

connector schematic diagram:



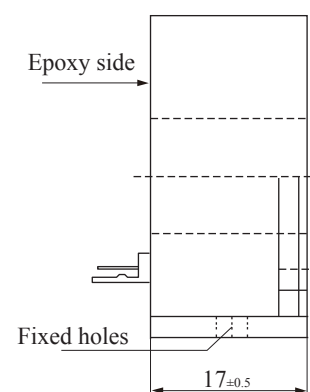
Cold-press terminal plug /socket, Distance 2.54, Stitch size 0.5×0.5

Dimensions (in mm) :



Front view

current direction



Side view