

Model:TA12-100

Characteristics:

Epoxy resin encapsulated, Nanocrystalline core, mini outline size, fully enclosed. Electrical load remote monitoring, as the input signal of electric control system, lack of phase indicating, electrical energy measuring, motor monitoring.

Technical index:

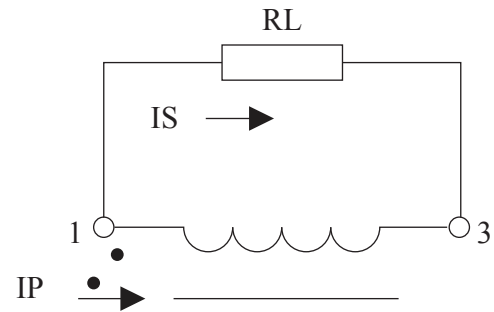
Mounting type: PCB
 Material of the core: Nanocrystalline
 Flame resistance: UL94-V0
 Execution standard: GB1208-2006
 Operating temperature: $-35^{\circ}\text{C}\sim+85^{\circ}\text{C}$
 Storage temperature: $-45^{\circ}\text{C}\sim+95^{\circ}\text{C}$
 Frequency range: 20Hz-20KHz
 Dielectric strength: $\geq 3.5\text{KV}$ 50Hz 1min



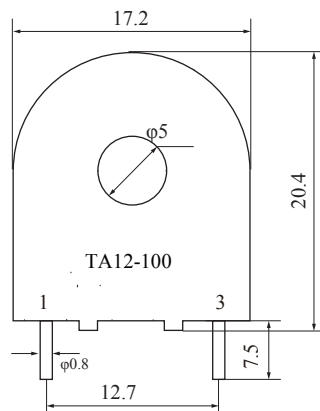
Electrical parameters:

Rated input	0-5	A
Max.input	7	A
Rated output	0-5	mA
Turns ratio	1: 1000	
Accuracy	± 1	%
Linearity	≤ 0.3	%
Phase difference	$\leq 10'$	
max: Max. sampling resistance	200	Ω
Weight	6	g

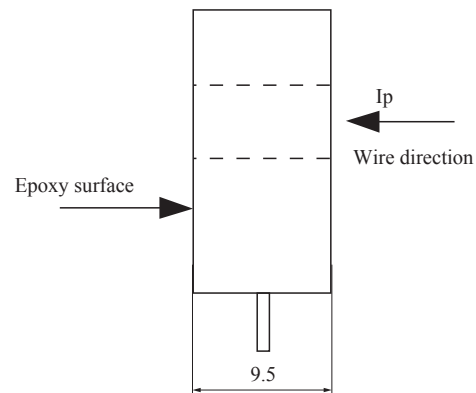
Schematic diagram:



Dimensions (in mm) :



Front view



Side view