

## Model:TA22S-200

### Characteristics:

Can through 15×3 copper bar, crimp terminals output. Silicon steel sheet core. Non-linearity superior to 5%. High overloading ability.

### Technical index:

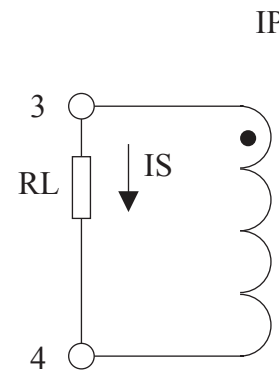
Mounting type: Plate mounting  
 Material of the core: Silicon steel sheet  
 Flame resistance: UL94-V0  
 Execution standard: GB1208-2006  
 Operating temperature: -35℃~+85℃  
 Storage temperature: -45℃~+95℃  
 Frequency range: 50Hz-60Hz  
 Dielectric strength: ≥3.5KV 50Hz 1min



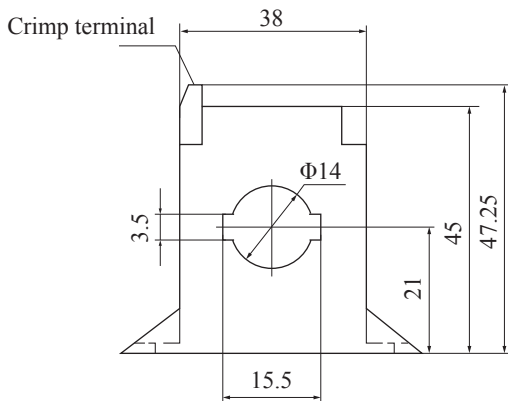
### Electrical parameters:

Rated input	0-200	A
Max.input	480	A
Rated output	0-100	mA
Turns ratio	1: 2000	
Accuracy	±1	%
Linearity	≤0.5	%
Phase difference	≤8°	
max: Max. sampling resistance	100	Ω
Weight	81	g

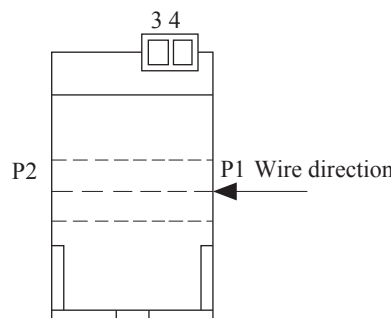
### Schematic diagram:



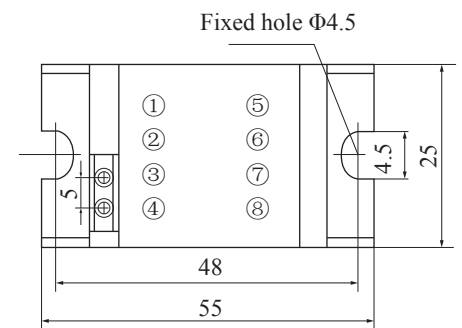
### Dimensions ( in mm ) :



Front view



Side view



Top view