

## Model:TA17L-03

### Characteristics:

Both PCB welding and leading wire output mode are available. Fully enclosed, Nanocrystalline core.

### Technical index:

Mounting type: PCB

Material of the core: Nanocrystalline

Flame resistance: UL94-V0

Execution standard: GB1208-2006

Operating temperature:  $-35^{\circ}\text{C} \sim +85^{\circ}\text{C}$

Storage temperature:  $-45^{\circ}\text{C} \sim +95^{\circ}\text{C}$

Frequency range: 20Hz-20KHz

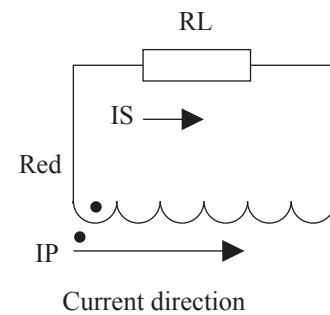
Dielectric strength:  $\geq 3.5\text{KV}$  50Hz 1min



### Electrical parameters:

Rated input	0-10	A
Max.input	22	A
Rated output	0-10	mA
Turns ratio	1: 1000	
Accuracy	$\pm 1$	%
Linearity	$\leq 0.2$	%
Phase difference	$\leq 25'$	
max: Max. sampling resistance	150	$\Omega$
Weight	19.1	g

### Schematic diagram:



### Dimensions (in mm) :

