

Model:TA17-04

**Characteristics:**

Both PCB welding and leading wire output mode are available. Fully enclosed, Nanocrystalline core.

**Technical index:**

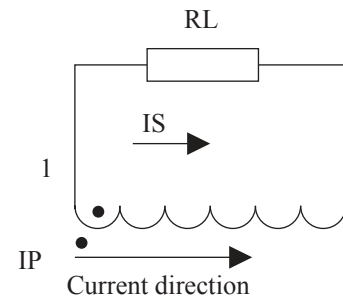
- Mounting type: PCB
- Material of the core: Nanocrystalline
- Flame resistance: UL94-V0
- Execution standard: GB1208-2006
- Operating temperature: -35℃~+85℃
- Storage temperature: -45℃~+95℃
- Frequency range: 20Hz-20KHz
- Dielectric strength: ≥3.5KV 50Hz 1min



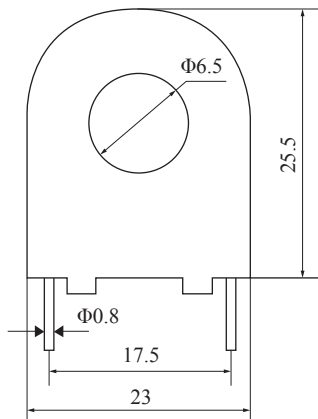
**Electrical parameters:**

Rated input	0-20	A
Max.input	36	A
Rated output	0-10	mA
Turns ratio	1: 2000	
Accuracy	±1	%
Linearity	≤0.2	%
Phase difference	≤20'	
max: Max. sampling resistance	300	Ω
Weight	16	g

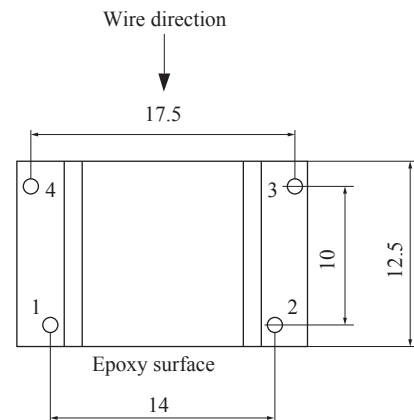
**Schematic diagram:**



**Dimensions (in mm) :**



Front view



Bottom view