

Model:TE3518

Characteristics:

Sub-plate mount, Vacuum Epoxy Encapsulated,
Crimping terminal output.

Technical Index:

Technical Index: Sub-plate mount

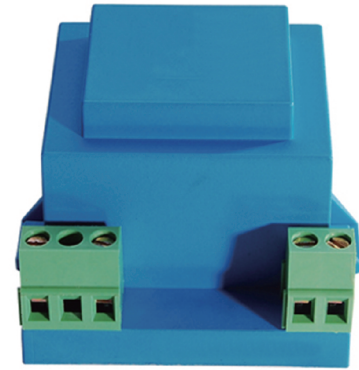
Flame resistance : UL94-V0

Insulation class: B

Operation temperature: -30°C~+70°C

Work frequency: 50Hz~60Hz

Dielectric strength: 3.75KV 50Hz 1min

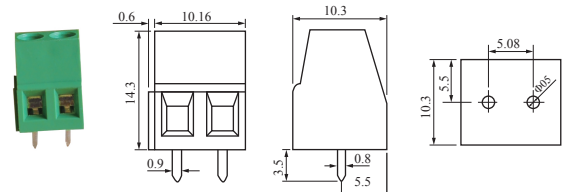


Technical Parameters table:

Primary voltage	110/220/230/380	V
Primary voltage range	±10	%
Voltage regulation	≤26	%
Power	5	VA
Temperature rising	≤22	°C
No load loss	≤0.5	W
weight	130	g

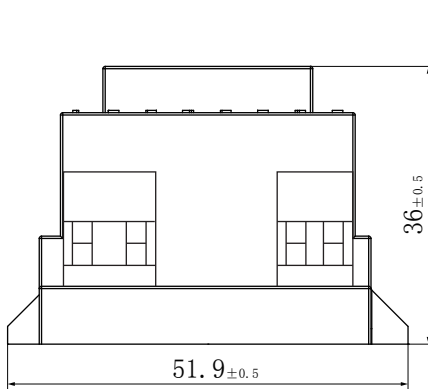
Secondary voltage	Secondary no load voltage	Secondary full load current
6V	8.2V	833mA
7.5V	10.4V	667mA
9V	12.4V	556mA
12V	16.6V	417mA
15V	19V	333mA
18V	23V	278mA
24V	33.1V	208mA

Connector Illustration:

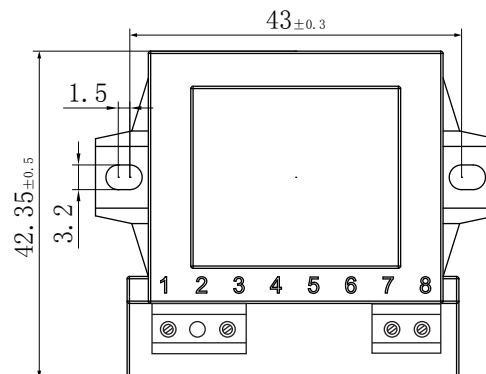


PCB direct welding crimp terminal, spacing 5.08

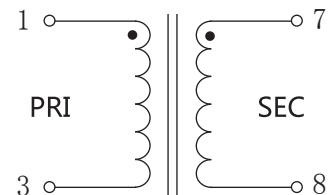
Dimension (in mm) :



Front View



Top View



Schematic Diagram