

Model:TV19G

Characteristics:

Adopt permalloy core, PCB mounting, fully enclosed. Used for voltage load remote monitoring, As the electric control system, the voltage input signal. As voltage measurement signal of watt-hour meter, high-frequency voltage detection.

Technical index:

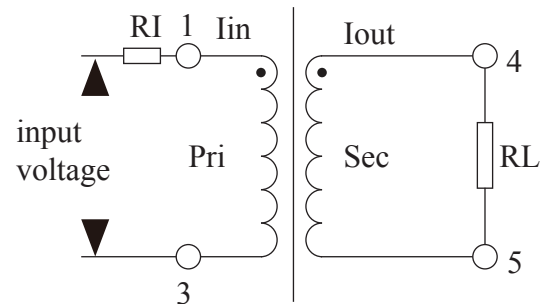
Mounting type: PCB mounting
 Material of the core: Permalloy
 Flame resistance: UL94-V0
 Operating temperature: $-35^{\circ}\text{C} \sim +85^{\circ}\text{C}$
 Storage temperature: $-45^{\circ}\text{C} \sim +95^{\circ}\text{C}$
 Frequency range: 20Hz-20KHz
 Dielectric strength: 6KV 50Hz 1min



Electrical parameters:

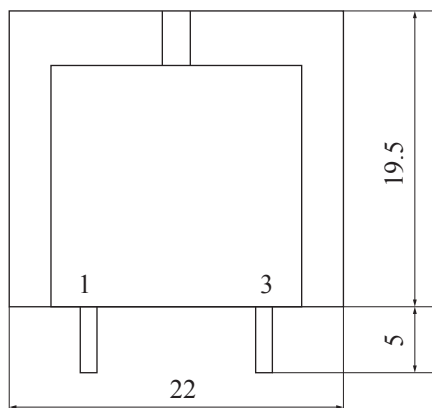
Primary Max. working current	4	mA
Max. input		
Secondary output current	4	mA
Turns ratio	1000: 1000	
Accuracy	± 1	%
Linearity	0.1	%
Max. measuring voltage	800	V
Phase difference	$\leq 25'$	
Max. sampling resistance	400	Ω
Weight	17	g

Schematic diagram:

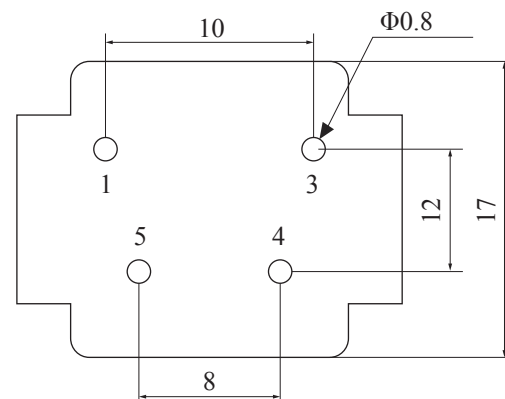


(RI is external limiting resistor)

Dimensions (in mm) :



Front view



Bottom view