

Model:TA22S-100

Characteristics:

Can through 15×3 copper bar, crimp terminals output. Silicon steel sheet core. Non-linearity superior to 5%. High overloading ability.

Technical index:

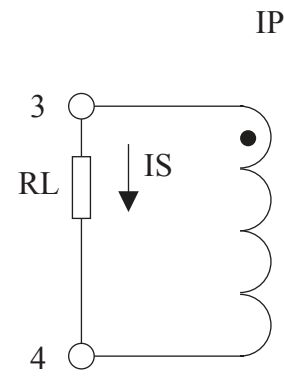
Mounting type: Plate mounting
 Material of the core: Silicon steel sheet
 Flame resistance: UL94-V0
 Execution standard: GB1208-2006
 Operating temperature: -35℃~+85℃
 Storage temperature: -45℃~+95℃
 Frequency range: 50Hz-60Hz
 Dielectric strength: ≥3.5KV 50Hz 1min



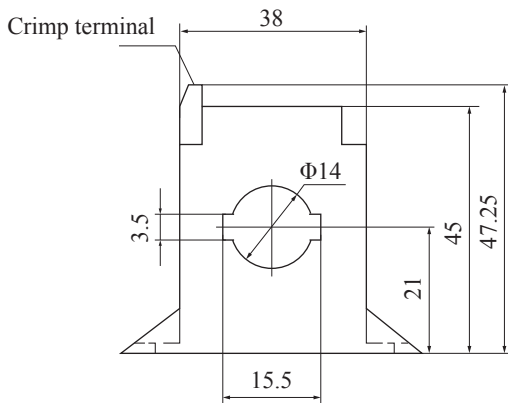
Electrical parameters:

Rated input	0-160	A
Max.input	272	A
Rated output	0-160	mA
Turns ratio	1: 1000	
Accuracy	±1	%
Linearity	≤0.5	%
Phase difference	≤10'	
max: Max. sampling resistance	50	Ω
Weight	82	g

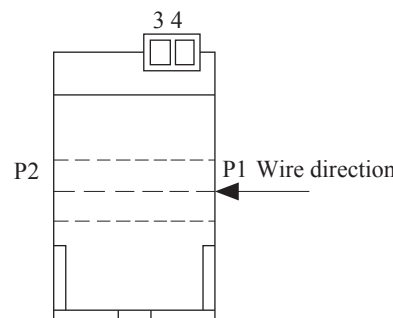
Schematic diagram:



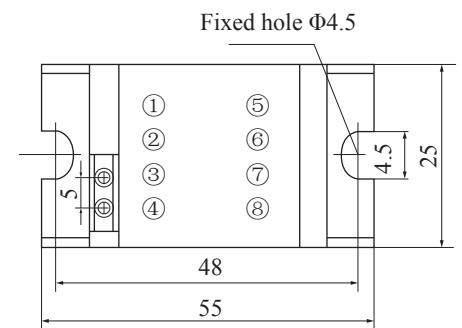
Dimensions (in mm) :



Front view



Side view



Top view