

Through core type precision current transformer



Model:TA12L-200

Characteristics:

Epoxy resin encapsulated, Nanocrystalline core, mini outline size, fully enclosed. Electrical load remote monitoring, as the input signal of electric control system, lack of phase indicating, electrical energy measuring, motor monitoring.

Technical index:

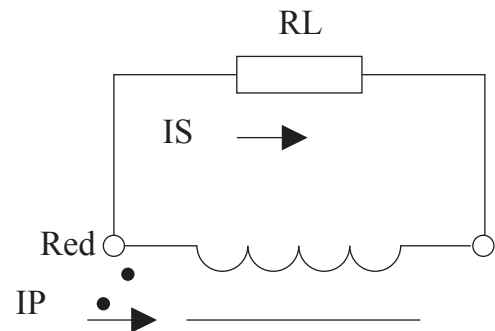
Mounting type: Suspended mounting
Material of the core: Nanocrystalline
Flame resistance: UL94-V0
Execution standard: GB1208-2006
Operating temperature: $-35^{\circ}\text{C} \sim +85^{\circ}\text{C}$
Storage temperature: $-45^{\circ}\text{C} \sim +95^{\circ}\text{C}$
Frequency range: 20Hz-20KHz
Dielectric strength: $\geq 3.5\text{KV}$ 50Hz 1min



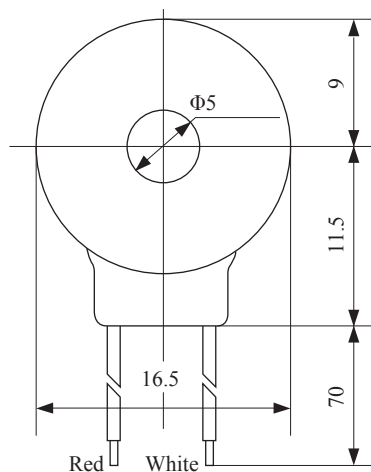
Electrical parameters:

Rated input	0-5	A
Max.input	5	A
Rated output	0-2.5	mA
Turns ratio	1: 2000	
Accuracy	± 1	%
Linearity	≤ 0.2	%
Phase difference	$\leq 10'$	
max: Max. sampling resistance	800	Ω
Weight	7.3	g

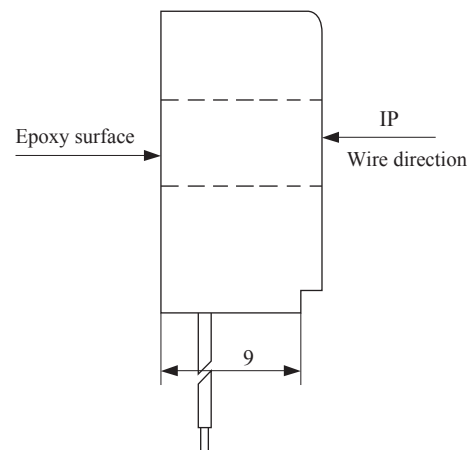
Schematic diagram:



Dimensions (in mm) :



Front view



Side view