

Mini current type voltage transformer



Model:TV16Z

Characteristics:

Using ultracrystalline core.

Primary current will be different according to different voltage working on the current-limiting resistance. And there will be a same current at secondary as primary.

Technical index:

Mounting type: PCB mounting

Material of the core: Nanocrystalline

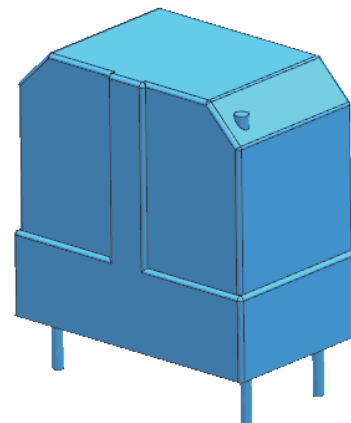
Flame resistance: UL94-V0

Operating temperature: $-35^{\circ}\text{C} \sim +85^{\circ}\text{C}$

Storage temperature: $-45^{\circ}\text{C} \sim +95^{\circ}\text{C}$

Frequency range: 20Hz-20KHz

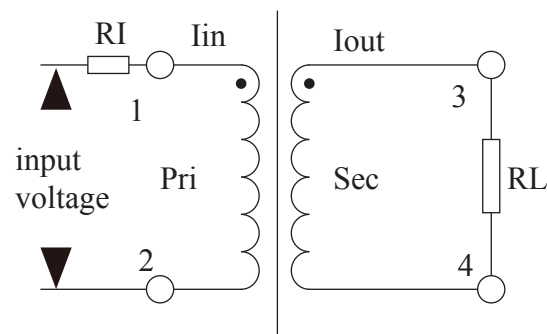
Dielectric strength: 3.5KV 50Hz 1min



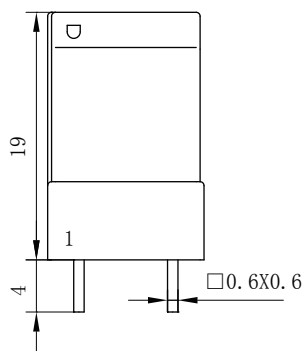
Electrical parameters:

Primary Max. working current	2	mA
Max. input		
Secondary output current	2	mA
Turns ratio	1000: 1000	
Accuracy	± 1	%
Linearity	0.2	%
Max. measuring voltage	250	V
Phase difference	$\leq 30'$	
Max.sampling resistance	400	Ω
Weight		g

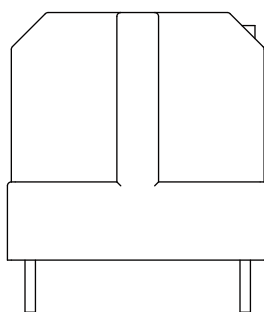
Schematic diagram:



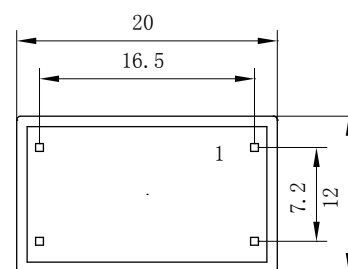
Dimensions (in mm) :



Front view



Top view



Bottom view