

Model:TA1100

Characteristics:

Epoxy resin encapsulated, mini outline size, fully enclosed;
well replace foreign similar products.

Technical index:

Mounting type: PCB

Material of the core: Silicon steel sheet

Flame resistance: UL94-V0

Execution standard: GB1208-2006

Operating temperature: $-35^{\circ}\text{C} \sim +85^{\circ}\text{C}$

Storage temperature: $-45^{\circ}\text{C} \sim +95^{\circ}\text{C}$

Frequency range: 50Hz-60Hz

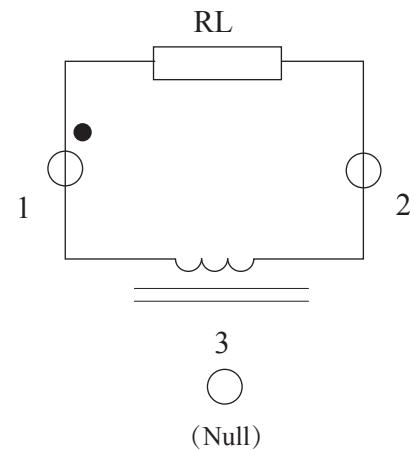
Dielectric strength: $\geq 3.5\text{KV}$ 50Hz 1min



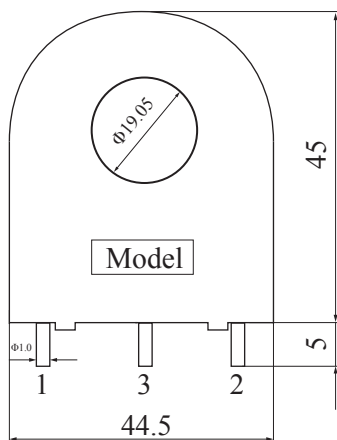
Electrical parameters:

Rated input	100	A
Max.input	144	A
Rated output	100	mA
Turns ratio	1: 1000	
Accuracy	± 1	%
Linearity	≤ 0.5	%
Phase difference	$61'$	
max: Max. sampling resistance	100	Ω
Weight	300	g

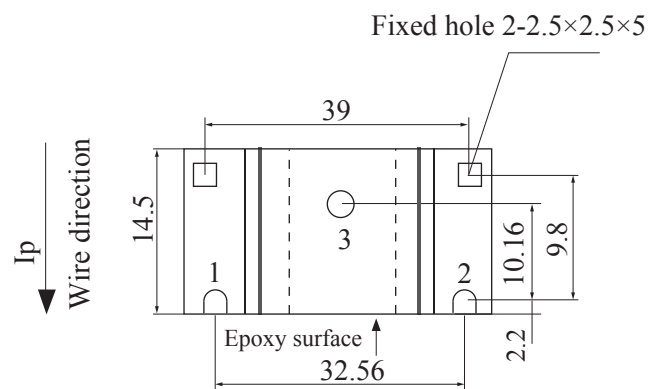
Schematic diagram:



Dimensions (in mm) :



Front view



Bottom view