

## Model:TV19

### Characteristics:

TV19 is current type voltage transformer, using ultracrystalline core.  
 Primary current will be different according to different voltage working on the current-limiting resistance. And there will be a same current at secondary as primary.



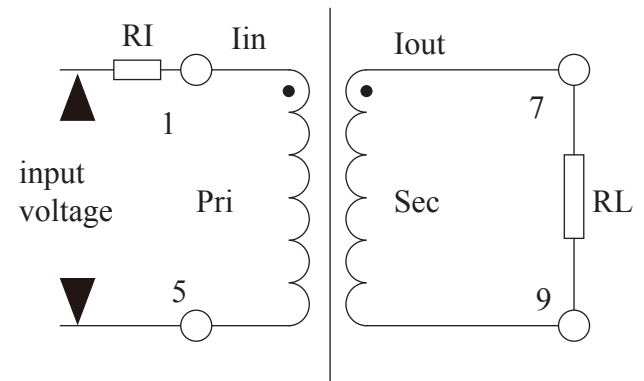
### Technical index:

- Mounting type: PCB mounting
- Material of the core: Nanocrystalline
- Flame resistance: UL94-V0
- Operating temperature:  $-35^{\circ}\text{C} \sim +85^{\circ}\text{C}$
- Storage temperature:  $-45^{\circ}\text{C} \sim +95^{\circ}\text{C}$
- Frequency range: 20Hz-20KHz
- Dielectric strength: 3.5KV 50Hz 1min

### Electrical parameters:

Primary Max. working current	5	mA
Max. input		
Secondary output current	5	mA
Turns ratio	1000: 1000	
Accuracy	$\pm 1$	%
Linearity	0.2	%
Max. measuring voltage	500	V
Phase difference	$\leq 25'$	
Max.sampling resistance	500	$\Omega$
Weight	15	g

### Schematic diagram:



### Dimensions (in mm) :

