

## Model:TA22-100

### Characteristics:

Can through 15×3 copper bar, crimp terminals output .  
Nanocrystalline core. Non-linearity superior to 2%.High accuracy.

### Technical index:

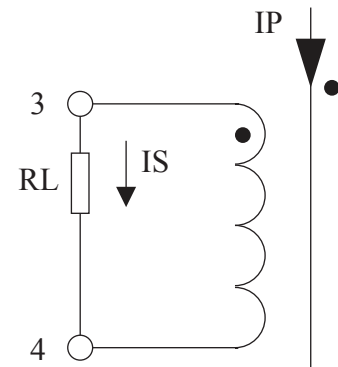
Mounting type: Plate mounting  
Material of the core: Nanocrystalline  
Flame resistance: UL94-V0  
Execution standard: GB1208-2006  
Operating temperature: -35℃~+85℃  
Storage temperature: -45℃~+95℃  
Frequency range: 20Hz-20KHz  
Dielectric strength: ≥3.5KV 50Hz 1min



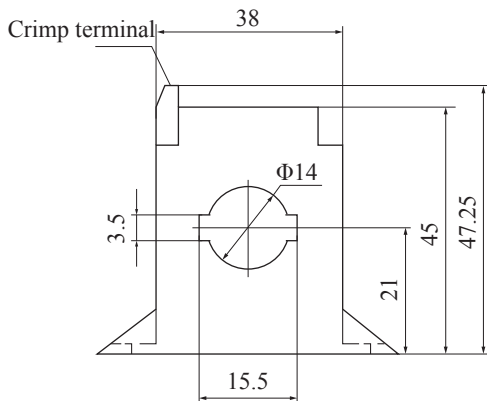
### Electrical parameters:

Rated input	0-80	A
Max.input	144	A
Rated output	0-80	mA
Turns ratio	1: 1000	
Accuracy	±1	%
Linearity	≤0.2	%
Phase difference	≤10'	
max: Max. sampling resistance	50	Ω
Weight	64.6	g

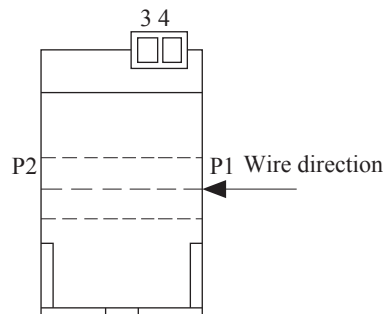
### Schematic diagram:



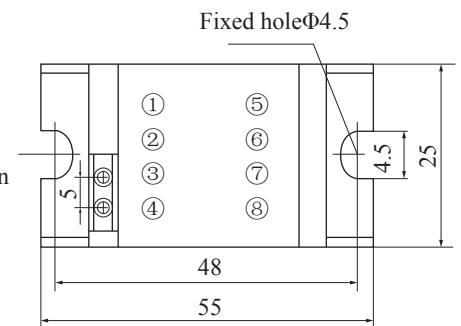
### Dimensions ( in mm ) :



Front view



Side view



Top view