

Model:TA17-05

Characteristics:

Both PCB welding and leading wire output mode are available. Fully enclosed, Nanocrystalline core.

Technical index:

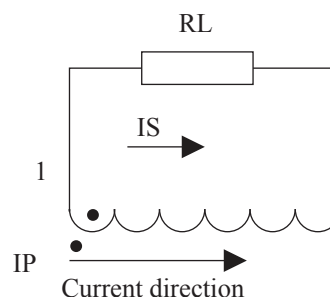
- Mounting type: PCB
- Material of the core: Nanocrystalline
- Flame resistance: UL94-V0
- Execution standard: GB1208-2006
- Operating temperature: $-35^{\circ}\text{C} \sim +85^{\circ}\text{C}$
- Storage temperature: $-45^{\circ}\text{C} \sim +95^{\circ}\text{C}$
- Frequency range: 20Hz-20KHz
- Dielectric strength: $\geq 3.5\text{KV}$ 50Hz 1min



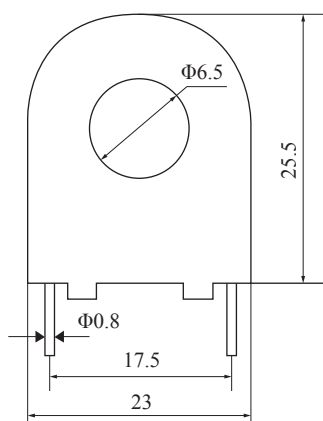
Electrical parameters:

Rated input	0-30	A
Max.input	54	A
Rated output	0-10	mA
Turns ratio	1: 3000	
Accuracy	± 1	%
Linearity	≤ 0.2	%
Phase difference	$\leq 15'$	
max: Max. sampling resistance	450	Ω
Weight	16	g

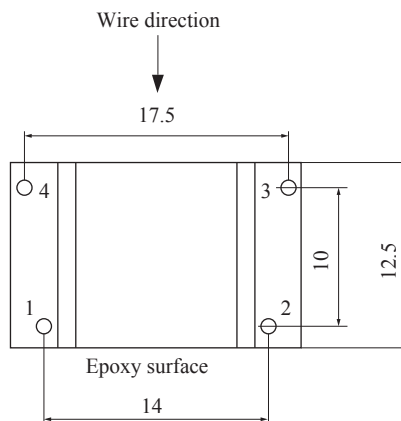
Schematic diagram:



Dimensions (in mm) :



Front view



Bottom view