

Model• HA2009

Epoxy potting plug terminal, leading wire or PCB welding output.AC/DC motor, current and voltage detection, battery powered, charging current detection, welding machine, inverter, automatic elevator, crane, papermaking,printing presses, injection molding machine, elevator Mechanical and electrical equipment such as AC/DC current/voltage detection

Technical index:

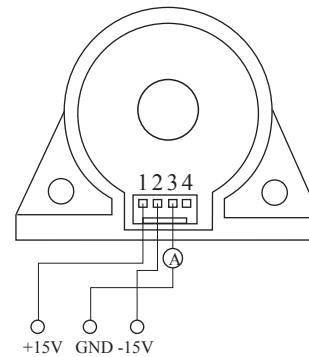
- Flame resistance: UL94-V0
- Operating temperature: -25~+70°C
- Storage temperature: -40~+85°C
- Bandwidth: DC~150kHz
- Dielectric strength: 3.5KV 50Hz 1min

Electric parameters:

I_p	Rated input	± 50	A
I_{PM}	Input measured range	± 75	A
I_{OUT}	Rated output	± 50	mA
X	Accuracy	0.5	%
\mathcal{E}_L	Linearity	< 0.2	%
V_C	Supply voltage($\pm 5\%$)	± 15	V
I_C	Current consumption	± 10	mA+Im
R_L	Load impedance	≤ 140	Ω
I_{OE}	Zero offsetTA=25°C	$\leq \pm 0.3$	mA
T_R	Response time	< 1	μs
N.W	Weight	36	g



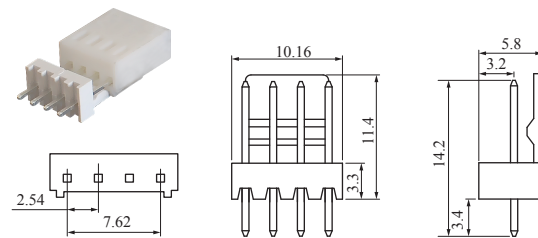
Schematic diagram:



Terminal definition

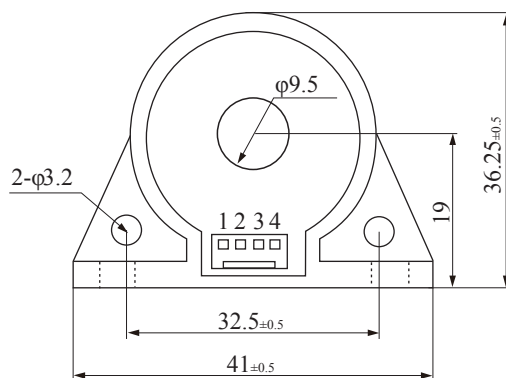
- 1: +V
- 2: -V
- 3: M
- 4: N.C

connector schematic diagram:



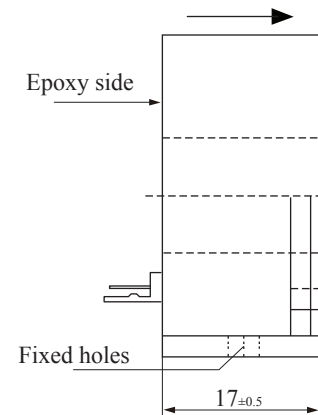
Cold-press terminal plug /socket,Distance 2.54, Stitch size 0.5×0.5

Dimensions (in mm) :



Front view

current direction



Side view