

Model:PE4825D-M

Characteristics:

Vacuum Epoxy Encapsulated,PCB mounting,Pirmary voltage:
110V/220V/230V,or producing as customerized.

Technical Index:

Technical Index: PCB

Flame resistance : UL94-V0

Insulation class: B

Operation temperature: -30℃~+40℃

Work frequency: 50Hz~60Hz

Dielectric strength: 3.75KV 50Hz 1min

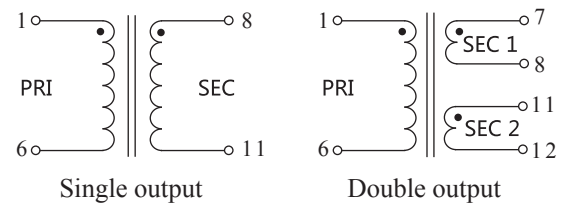


Technical Parameters table:

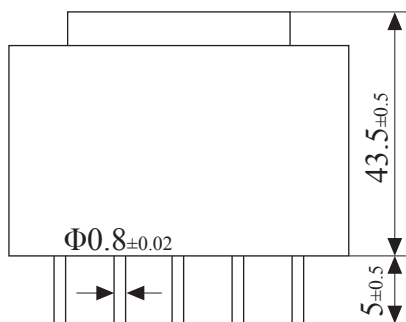
Primary voltage	110/220/230	V
Primary voltage range	±10	%
Voltage regulation	≤17	%
Power	15	VA
Temperature rising	≤25	℃
No load loss	≤0.9	W
weight	300	g

Secondary voltage		Secondary no load voltage		Secondary full load current	
Single	Double	Single	Double	Single	Double
6V	6V×2	6.7V	6.7V×2	2500mA	1250mA×2
7.5V	7.5V×2	8.4V	8.4V×2	2000mA	1000mA×2
9V	9V×2	10.1V	10.1V×2	1666mA	833mA×2
12V	12V×2	13.4V	13.4V×2	1250mA	625mA×2
15V	15V×2	16.8V	16.8V×2	1000mA	500mA×2
18V	18V×2	20.1V	20.1V×2	833mA	416.5mA×2
24V	24V×2	26.9V	26.9V×2	625mA	312.5mA×2

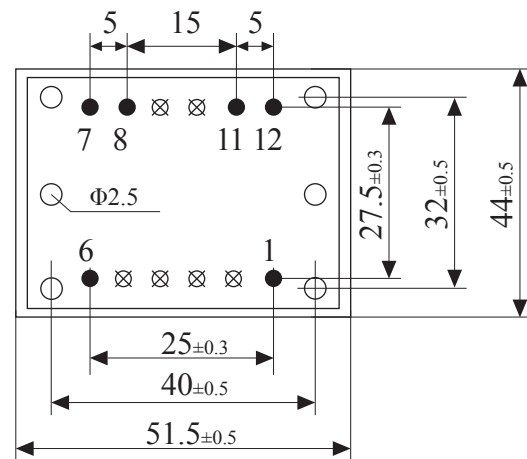
Schematic Diagram:



Dimension (in mm) :



Front View



Bottom View