

Primary core built-in type current transformer



Model:TA19E-03

Characteristics:

- Primary coil built-in. Permalloy core, excellent linearity.
- High accuracy, especially suitable for low current measurement application.

Technical index:

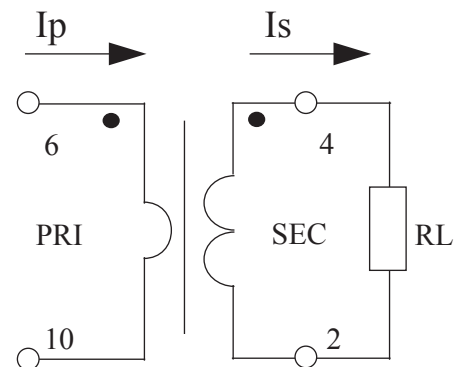
- Mounting type: PCB
- Material of the core: Permalloy
- Flame resistance: UL94-V0
- Execution standard: GB1208-2006
- Operating temperature: $-35^{\circ}\text{C} \sim +85^{\circ}\text{C}$
- Storage temperature: $-45^{\circ}\text{C} \sim +95^{\circ}\text{C}$
- Frequency range: 20Hz-20KHz
- Dielectric strength: 3KV 50Hz 1min



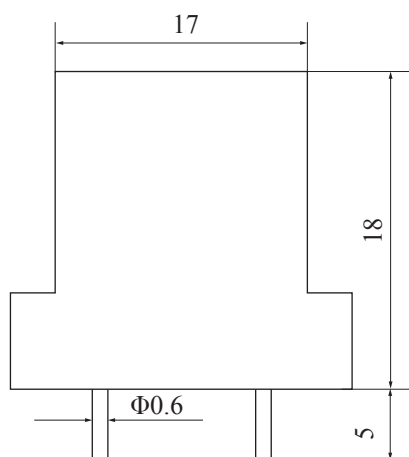
Electrical parameters:

Rated input	0-1	A
Max.input	3	A
Rated output	0-1.5	mA
Turns ratio	3: 2000	
Accuracy	± 1	%
Linearity	≤ 0.1	%
Phase difference		
max: Max. sampling resistance	1000	Ω
Weight	19.7	g

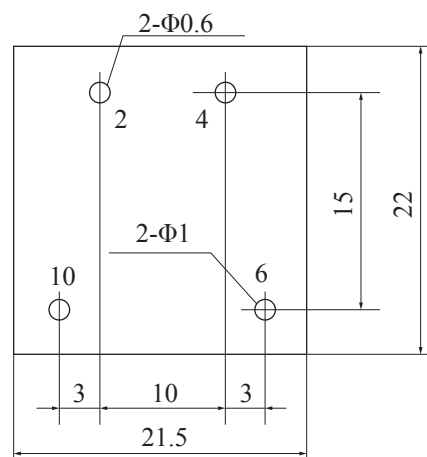
Schematic diagram:



Dimensions (in mm) :



Front view



Bottom view