

Split core current transformer



Model: SCT4333QL

Characteristic:

- Hanging installation, Rectangle hole,
- Secondary leading wire output.

Technical indicators:

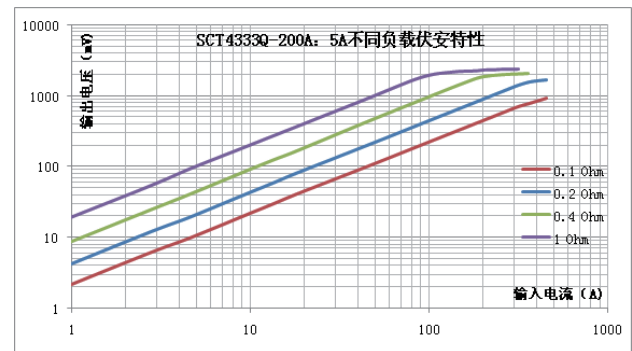
- Material of core: Silicon steel sheet
- Fire resistance property: UL94-V0
- Work voltage: 660V
- Work temperature: -25°C ~ +70°C
- Storage temperature: -40°C ~ +85°C
- Frequency range: 50Hz ~ 60Hz
- Dielectric strength: 3.5KV 50Hz 1min

Electric parameter:

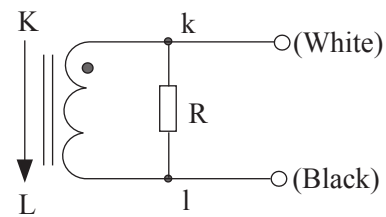
Rated input(rms)	600	A
Max. Input	720	A
Rated output	0.33	V
Turns ratio		
Accuracy	±0.5	%
Linearity		
Phase error		
Weight	404	g



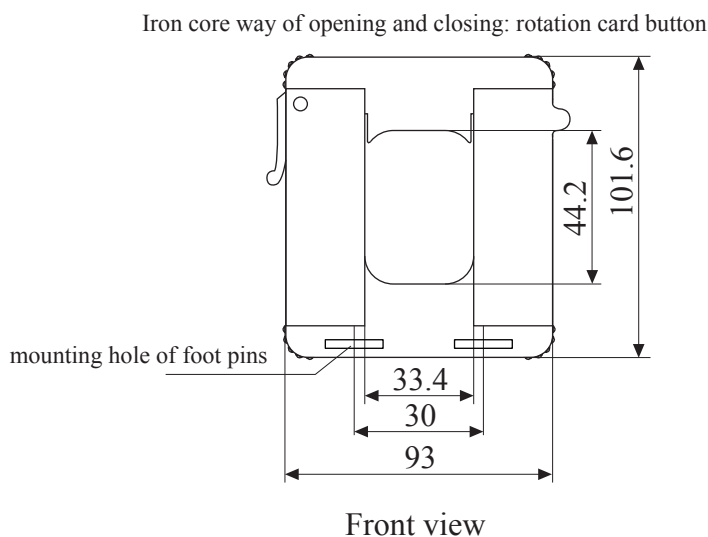
Characteristic curve in different load volt-ampere:



Wiring diagram:



Outline size diagram(in mm):



Built-in with sampling resistance, voltage output type

