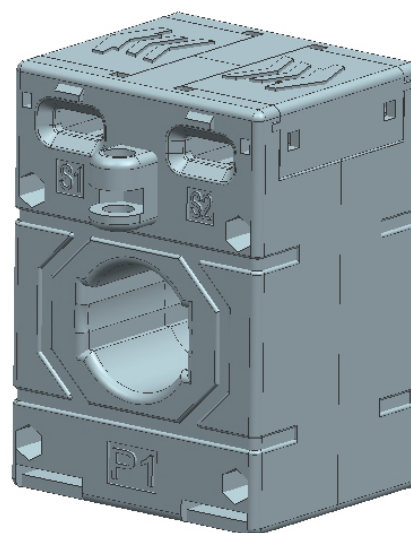


Model: BCT5021

BCT series are the current transformer which are designed for Industrial equipment

Technical index:

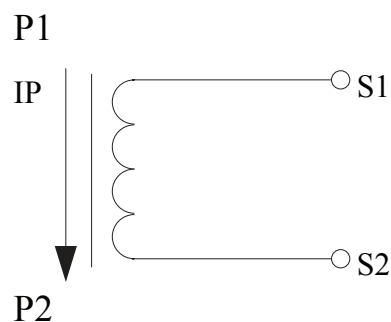
- Mounting type: Sub-plate / suspending type
- Output current: 0.1A、1A、5A(can be customized)
- core material: Silicon steel
- Installation place: Indoor
- Flame resistance: : UL94-V0
- Working temperature: -35°C~+85°C
- Storage temperature: -45°C~+95°C
- Altitude: ≤1000m
- atmospheric conditions: no serious pollution
- Dielectric strength: AC 3KV/1min 50Hz(secondary/shell)



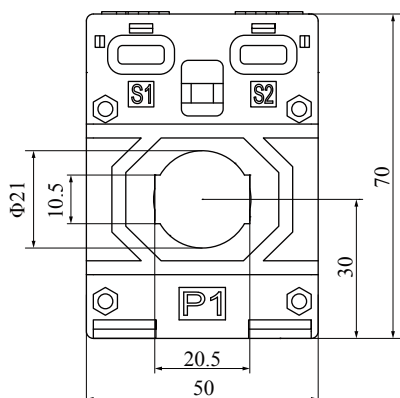
Electrical Index:

turn ratios A	Rated output(VA)					Turns of through hole
	0.5S	0.2S	0.2	0.5	1	
50A/5A	---	---	---	---	1	1
75A/5A	---	---	---	0.75	1.5	1
100A/5A	---	---	---	1.5	2.5	1
150A/5A	1.5	1.5	1.5	2.5	3.75	1
200A/5A	2	2	2	2.5	3.75	1
50A/1A	---	---	---	0.5	1	1
75A/1A	---	---	---	0.75	1.5	1
100A/1A	---	---	---	1.5	2.5	1
150A/1A	---	---	---	2.5	3.75	1
200A/1A	---	---	1.5	2.5	3.75	1
50A/0.1A	---	---	---	1.5	2	1
100A/0.1A	---	---	1.5	2.5	2.5	1
150A/0.1A	---	---	2	2.5	3.75	1
200A/0.1A	---	---	2.5	3.75	5	1

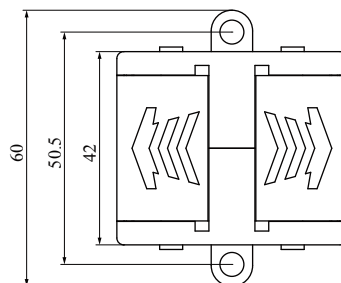
Connect diagram:



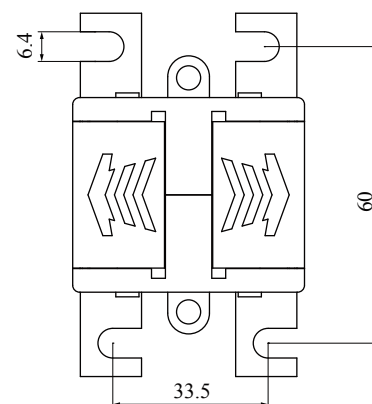
Dimension(in mm):



Front View



Top view



Bent lug size View