

Model: BH-0.72-40

Characteristic:

BH-0.72 current transformer are mainly indoor use, rated voltage $\leq 0.72\text{KV}$, 50Hz AC current, to measure current or energy or relay protection. Products are plastic molded CT, are widely used in the complete sets of cabinets, Installation can be busbar fixed or bottom plate fixed, Any direction installation will be OK.

Technical index:

Mounting type: Busbar/Bottom plate fixed

Core material: Silicon steel

Flame resistance: UL94-V0

work voltage: 720V

Working temperature: $-25^{\circ}\text{C} \sim +50^{\circ}\text{C}$

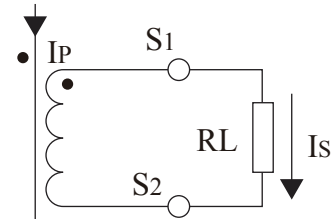
Storage temperature: $-35^{\circ}\text{C} \sim +70^{\circ}\text{C}$

Work frequency: 50Hz~60Hz

Dielectric strength: 6KV 50Hz 1min



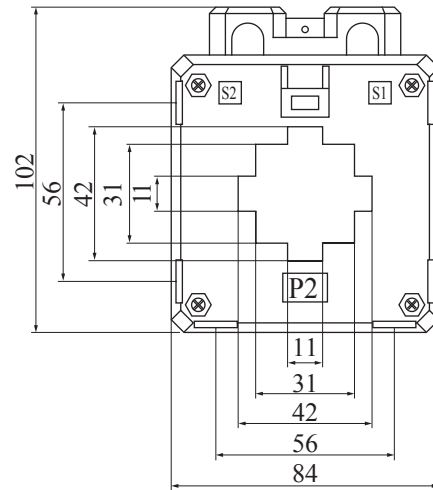
Connect diagram:



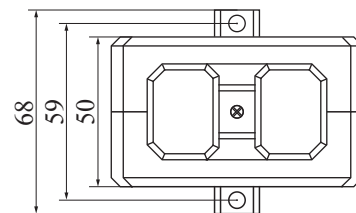
Electrical Index:

Output (A)	Input/Output (A)	Accuracy/Load (VA)				
		1	0.5	0.2	0.5S	0.2S
0.1	150/0.1	5	2.5	2		
	200/0.1	5	2.5	2.5		
	300/0.1	5	2.5	2.5		
	400/0.1	7.5	5	5		
	500/0.1	10	7.5	5		
	600/0.1	10	10	5		
	750/0.1	10	10	5		
	800/0.1	10	10	5		
1	150/1	5	2.5	2		
	200/1	5	2.5	2.5		
	300/1	5	2.5	2.5		
	400/1	7.5	5	5		
	500/1	10	7.5	5		
	600/1	10	10	5		
	750/1	10	10	5		
	800/1	10	10	5		
5	150/5	5	2.5	2		
	200/5	5	2.5	2.5	1.5	1.5
	300/5	5	2.5	2.5	2	2
	400/5	7.5	5	5	2.5	2.5
	500/5	10	7.5	5	2.5	2.5
	600/5	10	10	5	2.5	2.5
	750/5	10	10	5	5	5
	800/5	10	10	5	5	5
	1000/5	10	10	5	5	5

Dimension(in mm):



Front View



Top view